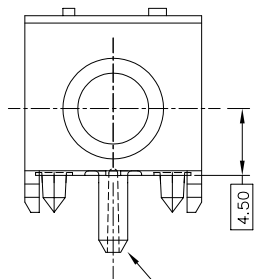
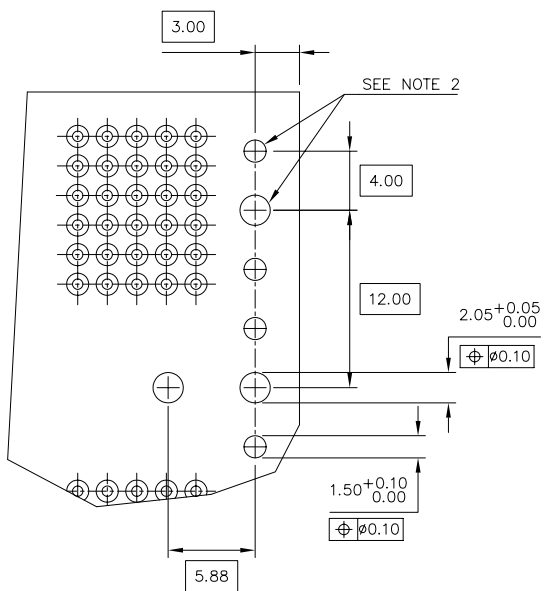
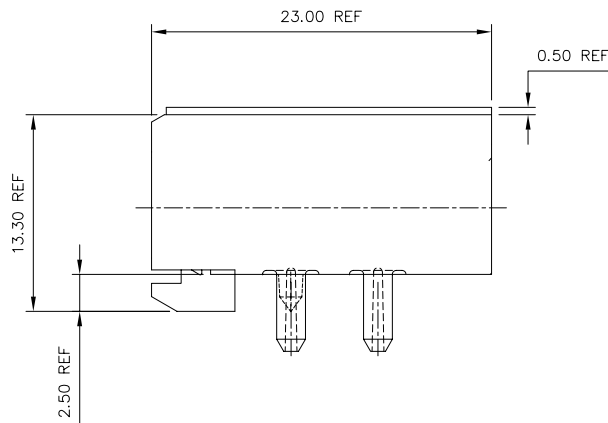


PRODUCT NO.	DESCRIPTION
73474-101	HEAT STAKE VERSION
73474-101LF	HEAT STAKE VERSION

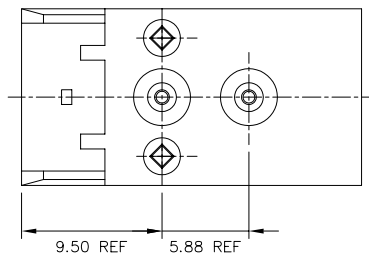
FRONT VIEW



HEAT-STAKE PEG VERSION



REQUIRED PC BOARD LAYOUT
COMPONENT SIDE



NOTES:

- HOUSING MATERIAL: LCP, 30% GLASS FILLED
FLAME RETARDANT PER UL 94V-0.
COLOR: NATURAL
- INDICATED HOLES ARE UNPLATED.
- SEE SHEET 2 FOR PRESS-PEG VERSION.
SEE SHEET 3 FOR SCREW-DOWN VERSION.
- THE PRODUCTS WHERE THE PART NUMBER ENDS IN "LF" MEET THE EUROPEAN UNION DIRECTIVES AND OTHER COUNTRY REGULATIONS AS DESCRIBED IN GS-22-008.
ALL PRODUCTS WILL WITHSTAND EXPOSURE TO 260°C FOR 60 SECONDS IN A CONVECTION, INFRA-RED OR VAPOR PHASE REFLOW OVEN.

mat'l. code		surface		tolerance		projection		product family		
SEE NOTES		ISO 1302 ✓		ISO 406 ISO 1101		mm		METRAL ACC		
ltr	ecn no	dr	date	tolerances unless otherwise specified		mm		title		
G	v11668	LSS	6/12/01	angles	linear	xx ±.01/3		RECEPTACLE GUIDE		
H	v12868	CGD	1/02/02			xxx ±.005/.13		MODULE, 5 ROW		
J	v05-0007	TAB	1/11/05	σ±2'			scale 1:1			
K	v05-0223	TAB	3/11/05	dr	M. FETROW	5/19/97		dwg no		
L	v05-0730	DAI	8/04/05	enrg	c. PENDLETON	5/19/97		sheet 1 of 5		
M	m05-0231	MHT	10/28/05	chr	c. PENDLETON	5/19/97		size		
N	M06-0286	MNR	7/27/06	appd	c. PENDLETON	5/19/97		A3		
sheet	revision	N	N	N	N			type		
index	sheet	1	2	3	4	5			Product Customer Drawing	

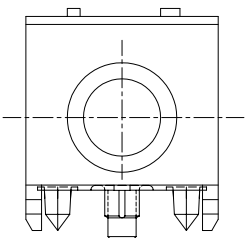


FCIconnect.com

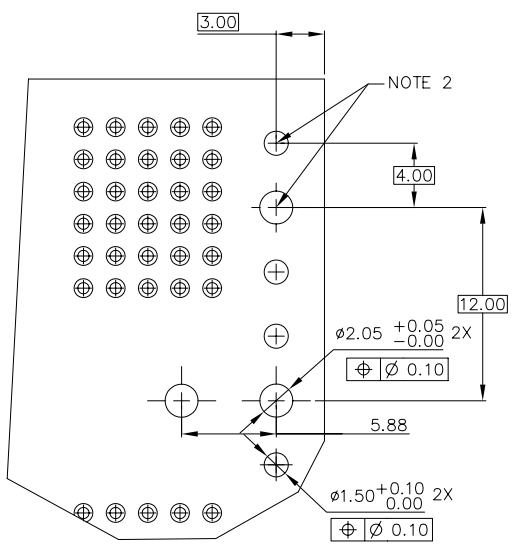
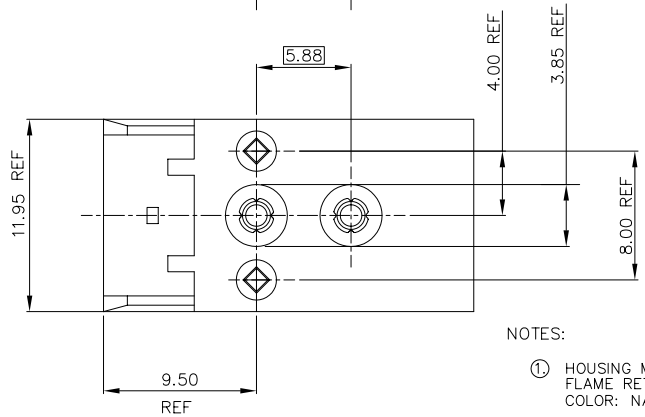
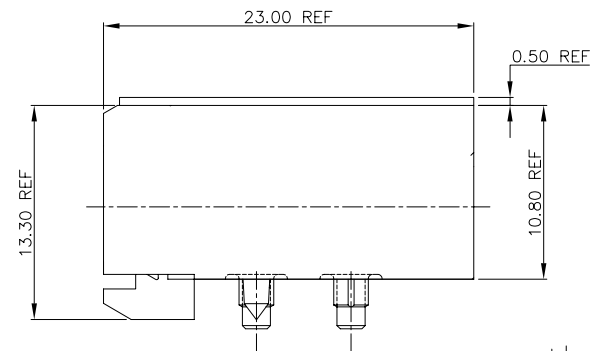
Copyright FCI

PRODUCT NO.	DESCRIPTION
73474-201	PRESS-PEG VERSION
73474-201LF	PRESS-PEG VERSION

FRONT VIEW



PRESS PEG VERSION



NOTE 2

NOTES:

- ① HOUSING MATERIAL: LCP, 30% GLASS FILLED
FLAME RETARDANT PER UL 94V-0.
COLOR: NATURAL
- ② INDICATED HOLES ARE UNPLATED.
- 3. THIS SHEET SHOWS DIMENSIONS OF OPTIONAL PRESS-PEG ONLY.
FOR ALL OTHER DIMENSIONS AND REQUIREMENTS SEE SHEET 1.
FOR HEAT-STAKE VERSION SEE SHEET 1, FOR SCREW-DOWN
VERSION, SEE SHEET 3.

REQUIRED PC BOARD LAYOUT
COMPONENT SIDE

mat'l. code SEE NOTES		surface ISO 1302 ✓	tolerance ISO 406 ISO 1101	projection 	product family METRAL ACC
ltr	ecn	no	dr	date	tolerances unless otherwise specified
N					angles linear xx ±.01/.3 xxx ±.005/.13 xxxx ±.0020/.050
					scale 1:1
					mm
dr	M. FETROW	5/19/97			
enr	C. PENDLETON	5/19/97			
chr	C. PENDLETON	5/19/97			
app	C. PENDLETON	5/19/97			
sheet index	revision sheet				

title
**RECEPTACLE GUIDE
MODULE, 5 ROW**

dwg no **73474** sheet 2 of 5 size **A3**

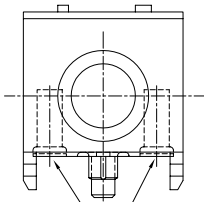
type Product Customer Drawing



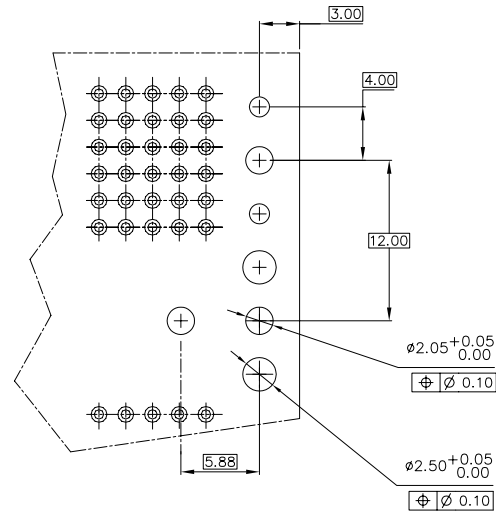
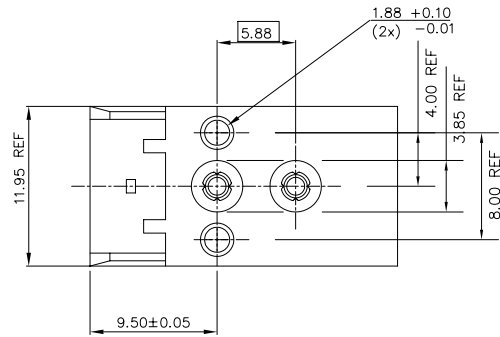
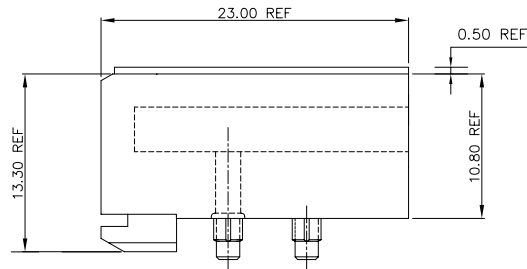
Copyright FCI

PRODUCT NO.	DESCRIPTION
73474-301	SCREW DOWN VERSION
73474-301LF	SCREW DOWN VERSION

FRONT VIEW



SCREW DOWN VERSION



REQUIRED P.C. BOARD LAYOUT
COMPONENT SIDE

NOTES:

- HOUSING MATERIAL: LCP, 30% GLASS FILLED FLAME RETARDANT PER UL 94V-0. COLOR: NATURAL
- THIS SHEET SHOWS DIMENSIONS OF OPTIONAL SCREW-DOWN ONLY. FOR ALL OTHER DIMENSIONS AND REQUIREMENTS SEE SHEET 1. FOR HEAT-STAKE VERSION SEE SHEET 1, FOR PRESS-PEG, SEE SHEET 2.
- TWO MOUNTING SCREWS, P/N 63787-001, OR 63787-001LF FOR 73474-301LF, FOR MAX PCB THICKNESS 2.4mm [0.094"]. P/N 63787-002 OR 63787-002LF FOR 73474-301LF MAX PCB THICKNESS 3.2mm [0.126"]. MUST BE ORDERED SEPARATELY
- THE MATING CONNECTOR FOR THIS APPLICATION MUST USE A WALL-LESS HEADER HOUSING, P/N 63735-101, TO AVOID INTERFERENCE WITH MOUNTING SCREW HEADS.

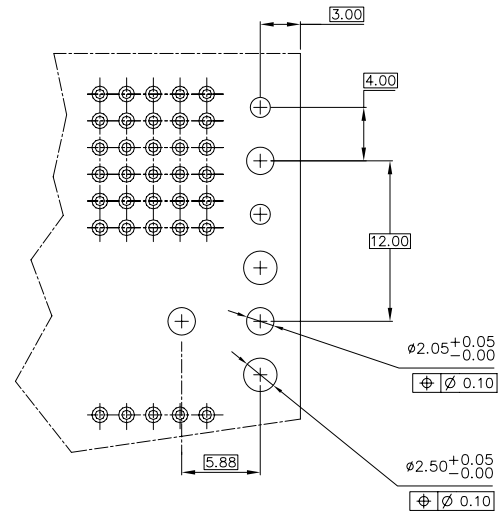
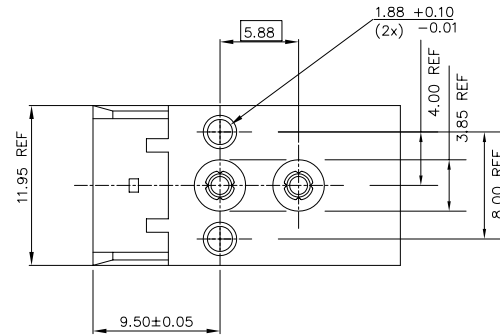
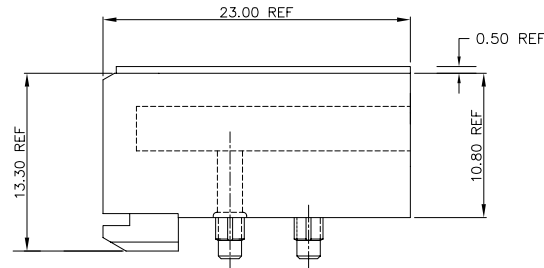
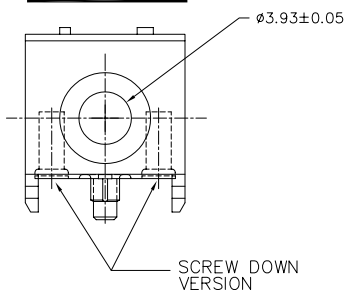
FCI
FCIconnect.com

Copyright FCI

mat'l. code SEE NOTES		surface ISO 1302 ✓	tolerance ISO 406 ISO 1101	projection 	product family METRAL ACC
ltr	ecn no/dr	date	tolerances unless otherwise specified		title RECEPTACLE GUIDE MODULE, 5 ROW
N			angles	linear xx ±.01/.3 xxx ±.005/.13 xxxx ±.0020/.050	mm ←→
			dr	M. FETROW 5/19/97	scale 1:1
			enr	C. PENDLETON 5/19/97	FCI dwg no 73474 sheet 3 of 5 size A3
			chr	C. PENDLETON 5/19/97	
			app	C. PENDLETON 5/19/97	
sheet index	revision sheet				type Product Customer Drawing

PRODUCT NO.	DESCRIPTION
73474-302	SCREW DOWN VERSION
73474-302LF	SCREW DOWN VERSION

FRONT VIEW



REQUIRED P.C. BOARD LAYOUT
COMPONENT SIDE

NOTES:

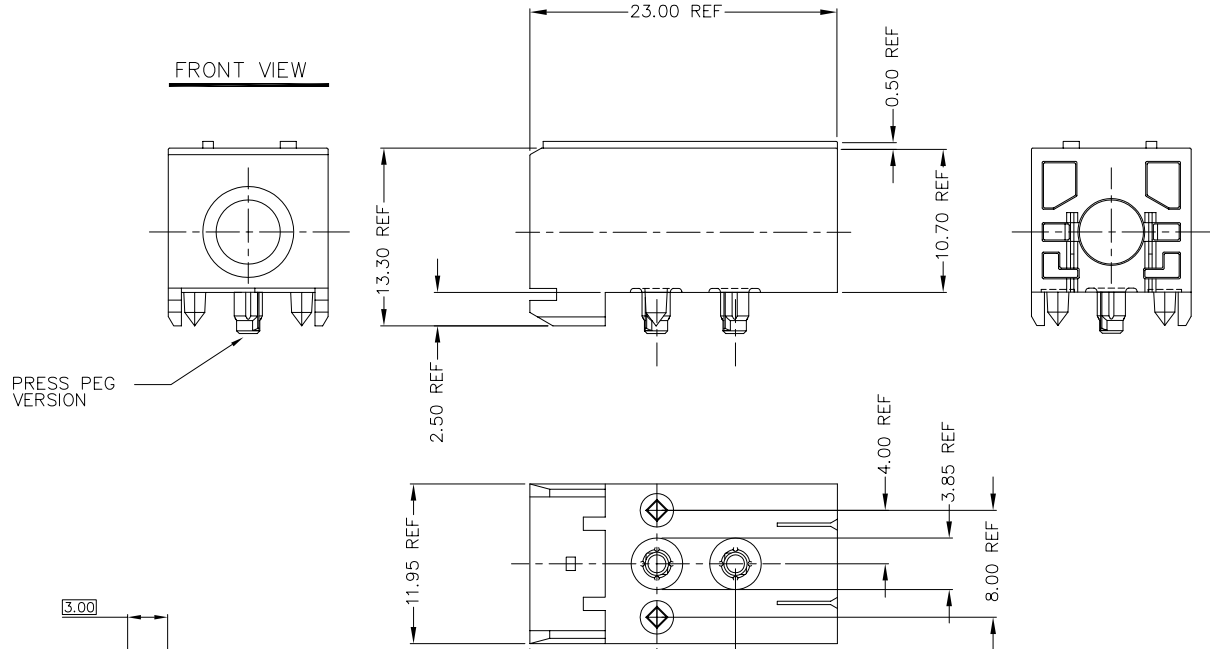
- HOUSING MATERIAL: LCP, 30% GLASS FILLED
FLAME RETARDANT PER UL 94V-0.
COLOR: NATURAL
- THIS SHEET SHOWS DIMENSIONS OF OPTIONAL SCREW-DOWN ONLY.
FOR ALL OTHER DIMENSIONS AND REQUIREMENTS SEE SHEET 1.
FOR HEAT-STAKE VERSION SEE SHEET 1, FOR PRESS-PEG,
SEE SHEET 2.
- TWO MOUNTING SCREWS, P/N 63787-001, OR 63787-001LF FOR
73474-301LF, FOR MAX PCB THICKNESS 2.4mm [0.094"].
P/N 63787-002 OR 63787-002LF FOR 73474-301LF MAX
PCB THICKNESS 3.2mm [0.126"].
MUST BE ORDERED SEPARATELY
- THE MATING CONNECTOR FOR THIS APPLICATION MUST USE A
WALL-LESS HEADER HOUSING, P/N 63735-101, TO AVOID
INTERFERENCE WITH MOUNTING SCREW HEADS.

FCI
FCIconnect.com

Copyright FCI

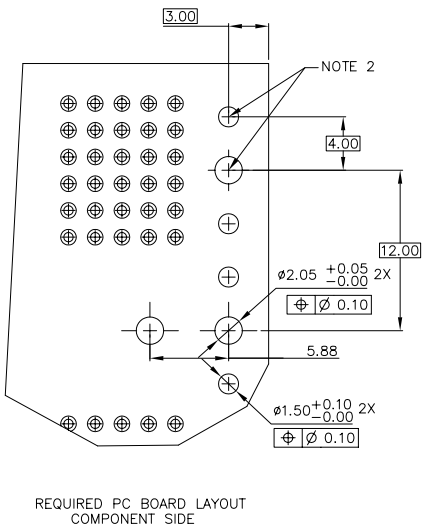
mat'l. code		surface		tolerance		projection		product family	
SEE NOTES		ISO 1302 ✓		ISO 406 ISO 1101		mm		METRAL ACC	
ltr	ecn	no	dr	date	tolerances unless otherwise specified				
N					angles	linear	mm		title
					°±2'	xxx ±.01/.3 xxx ±.005/.13 xxx ±.0020/.050	scale 1:1		RECEPTACLE GUIDE MODULE, 5 ROW
			dr	M. FETROW	5/19/97	FCI		dwg no	sheet 4 of 5 size
			enr	C. PENDLETON	5/19/97			73474	A3
			chr	C. PENDLETON	5/19/97				
			app	C. PENDLETON	5/19/97			type	Product Customer Drawing
sheet	revision								
index	sheet								

PRODUCT NUMBER	DESCRIPTION
73474-401M	PRESS PEG VERSION
73474-401	PRESS PEG VERSION
73474-401LF	PRESS PEG VERSION



NOTES:

- HOUSING MATERIAL: LCP, 30% GLASS FILLED
FLAME RETARDANT PER UL 94V-0.
COLOR: NATURAL
- INDICATED HOLES ARE UNPLATED.
- THIS SHEET SHOWS DIMENSIONS OF OPTIONAL PRESS-PEG ONLY.
FOR ALL OTHER DIMENSIONS AND REQUIREMENTS SEE SHEET 1.
FOR HEAT-STAKE VERSION SEE SHEET 1, FOR SCREW-DOWN
VERSION, SEE SHEET 3.



mat'l. code	surface	tolerance	projection	product family
SEE NOTES	ISO 1302 ✓	ISO 406 ISO 1101		METRAL ACC
ltr	ecn no	dr	date	title
N				RECEPTACLE GUIDE MODULE, 5 ROW
		angles	linear	mm
		°±2'	xxx ±.01/.3 xxx ±.005/.13 xxxx ±.0020/.050	scale 1:1
	dr	M. FETROW	5/19/97	dwg no
	enr	C. PENDLETON	5/19/97	73474
	chr	C. PENDLETON	5/19/97	sheet 5 of 5
	app	C. PENDLETON	5/19/97	size A3
sheet index	revision sheet			type Product Customer Drawing

FCJ
FCIconnect.com

Copyright FCI